

# PC PASSE-PARTOUT COMFORT

design  
SERGIO BELLIN



SitLand®

## ALREADY A BEST SELLER FROM THE NAME

**PC Passe-partout Comfort** is the collection of chairs designed to satisfy the needs of waiting areas and meeting rooms, with utmost comfort and elegance. A product suitable for any need and style.



### COMFORTABLE

PC Passe-partout Comfort ensures a high level of comfort thanks to the back and seat pad in flexible, cold injected polyurethane foam, crushproof. In particular, the seat pad of PC Passe-Partout Comfort is very thick and ergonomic, in flexible cold injected polyurethane foam with "Comfort-Air" technology.

### STYLISH DETAILS

PC Passe-partout Comfort stands out for its details: the arms are integrated in the frame in high-resistance steel tube, featuring in the sled-version, elegant tapered fine weld joints. The arm covers can be matched to the seat upholstery or available in black polyurethane.

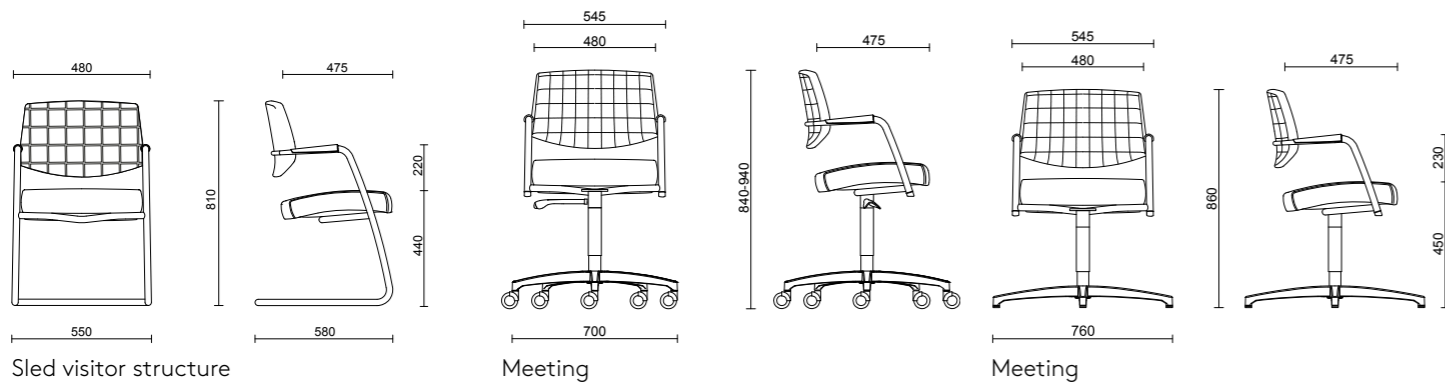
### TIMELESS ELEGANCE

PC Passe-partout Comfort collection boasts a wide range of upholsteries for seat and back, and frame finishes.

### MANY NEEDS, ONE COLLECTION

PC Passe-partout Comfort collection is available in the guest versions on sled-frame meeting version on casters, with the possibility to adjust the height of the seat, or with fixed seat, return memory and 4-star base and fixed gliders. A series of chairs that matched to each other can confer a touch of style and satisfy different needs of use.

## MODELS AND DIMENSIONS



## BASES



High resistance 5-star base in black nylon with strengthening steel ring, ø 700 mm.



5-star die-cast aluminium base, polished, ø 700 mm.



5-star die-cast aluminium base, black painted, ø 700 mm.



4 star die-cast aluminium base, 720 mm, polished, ø 760 mm.

## CASTERS



Self-braking rubber casters, ø 50 mm for hard floors.



Self-braking casters, ø 50 mm.



Self-braking rubber casters, ø 65 mm for hard floors.



Self-braking casters, ø 65 mm for soft floors.

## COLOURS, MATERIALS, FINISHING \*

### STRUCTURE FINISHING



Black painted steel\*\*



Aluminium painted steel\*\*



Chromed steel

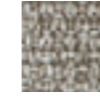
## SEAT AND BACK UPHOLSTERIES



Fabric AB Xtreme Plus  
19 colours



Fabric IP  
19 colours



Fabric ME  
21 colours



Fabric FA  
12 colours



Fabric FE  
21 colours



Ecological leather IK  
13 colours



Ecological leather CI-CX  
26 colours



Ecological leather N  
13 colours



Leather S  
13 colours



Leather TS  
18 colours



Ecological leather N  
13 colours



Leather S  
13 colours

## COVER ARM UPHOLSTERIES



Fabric FE  
21 colours



Ecological leather IK  
13 colours



Ecological leather CI-CX  
26 colours



Ecological leather N  
13 colours



Leather S  
13 colours



Leather TS  
18 colours



Ecological leather N  
13 colours



Leather S  
13 colours

\* Please refer to the Price list in force and to the General sale conditions for the colours and the combinations available for every single product. Colours shown are used for reference only and may look different in reality. Please contact SitLand to receive more information.

\*\* Not available for the following model: meeting, swivelling with fixed height and memory return (medium and high back).

## PCON.PLANNER



It is possible to configure our model PC Passe-partout Comfort by using pCon.planner program for the design of 2D and 3D environment.

pCon.planner allows to design working solutions in a fast and intuitive way, creating "realistic" images with advanced features, with a considerable saving of time and resources.

It is easy to start using pCon.planner: after downloading the software in the proper page, it is possible to download pCon.catalog, the practical online catalogue of products ready to be set up according to anyone's need, and then include the products in the projects.

For more information on the use of pCon.planner and the access to the products of the SitLand's catalogues, please contact [com@sitland.com](mailto:com@sitland.com)

## WARRANTY



PC Passe-partout Comfort has 5 years warranty.

For any further detail, please contact SitLand's customer service at [service@sitland.com](mailto:service@sitland.com)

## MORE INFORMATION

Please look through our catalogue to see all the different versions available of PC Passe-partout Comfort

[http://www.sitland.com/sitland\\_catalogues/sitland\\_general\\_catalogue/sitland\\_general\\_catalogue.html#p=242](http://www.sitland.com/sitland_catalogues/sitland_general_catalogue/sitland_general_catalogue.html#p=242)

or see our PC Passe-partout Comfort page into our web site [www.sitland.com](http://www.sitland.com)

# SitLand®

SitLand S.p.A.  
Via Cà Silvestre, 52  
36024 Nanto - Vicenza - Italy  
info@sitland.com - www.sitland.com  
Tel. +39 0444 637100



SitLand S.p.A. is certified  
UNI EN ISO 9001: 2008  
UNI EN ISO 14001: 2004

Follow us on:

